

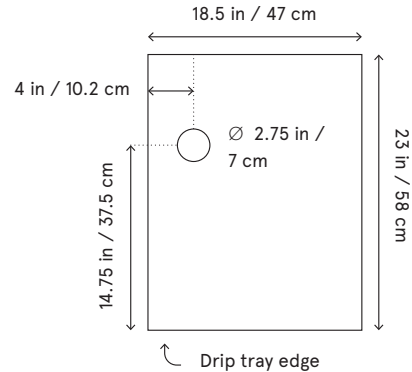
Installation Requirements

Slayer Espresso Single Group

Counter

- Width: 18.5 inches / 47 centimeters
- Length: 23 inches / 58 centimeters
- Height: 13 inches / 33 centimeters
- Weight: 110 lbs / 50 kg (tanks filled)

Measurements do not include overhanging wood components: portafilters, brew actuators, steam handles, cup rails



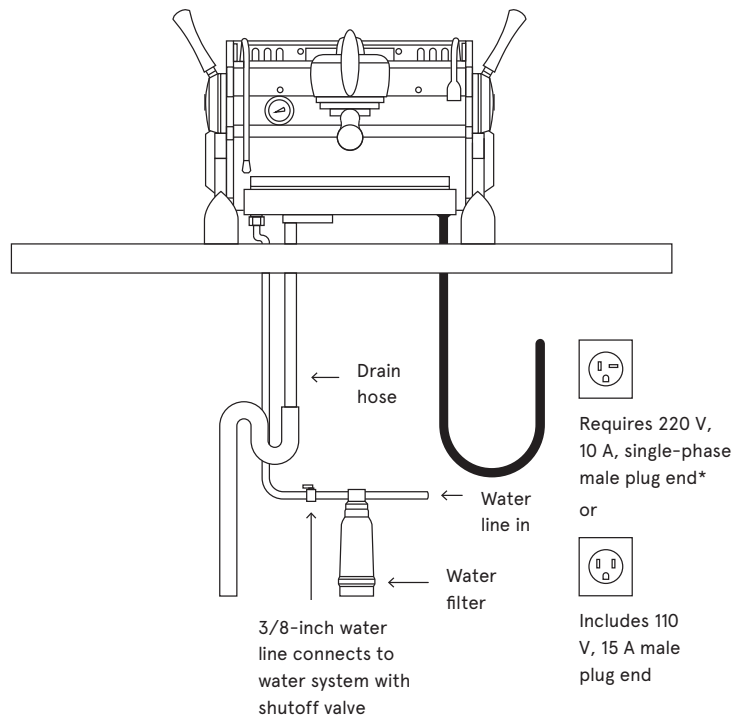
Water

- 3/8-inch BSP dedicated cold water line with shutoff valve (in North America, 3/8-inch compression fitting is included)
- Incoming water pressure: 3 Bar min, 5 Bar max
- Water hardness cannot exceed 50ppm, otherwise a water softener is needed

Power

- 100-120 volts AC, Single Phase
 - 1,500 Watts
 - 15 Amps
 - Standard grounded plug end included
- or
- 200-260 volts AC, single-phase
 - 2,000 watts
 - 10 amps
 - Receptacle: NEMA L6-15

*Male plug end is included with 100-120 volt models or when UL specifications have been requested



Drain

- Open gravity drain located within 4 feet / 1.2 meters of the machine
- Ensure drain line is always sloping downwards
- Drain hose: 7/8-inch outside diameter, 5/8-inch inside diameter (2.2-centimeter outside diameter, 1.6-centimeter inside diameter)

SLAYER