

# Models P300 & P400

## Shuttle Brewers



MODEL P300



MODEL P400



**GRINDMASTER™**  
CORPORATION

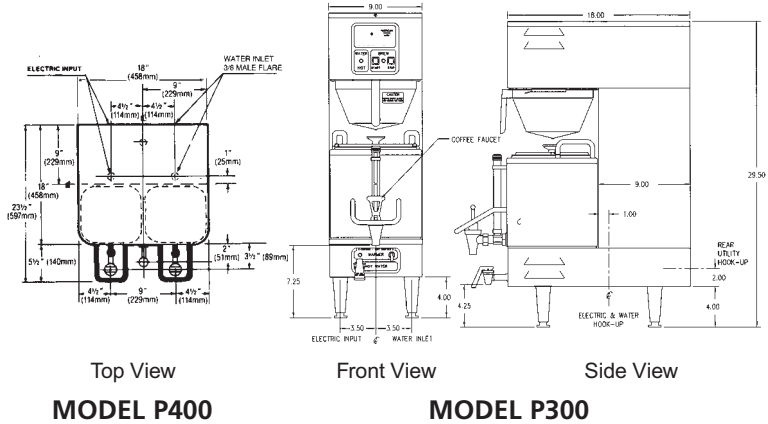


**GRINDMASTER™**  
CORPORATION

**Models P300 & P400**

**Features:**

- Ready to Brew light
- Radiant heat, air-insulated, 1-1/2 gal. (5.7L) CS-1 Shuttles® make transporting easy and keep coffee fresh & hot
- Insulated handles ensure Shuttles® are safe & easy to carry
- Shuttle® lid locks in place while transporting
- Designed for fast access to component & ease of service
- Compact size (P400 is 18" [45cm] wide & P300 is 9" [23cm] wide) takes up less counter space
- One year parts & labor warranty
- P400 includes: 1 twin brewer with stainless brew baskets, stainless legs & (2) CS-1 Shuttles®
- P300 includes: 1 single brewer with stainless brew basket, stainless legs & (1) CS-1 Shuttle®



**Options:**

Option #	Description	Option #	Description
C12	Concealed brew switch	CW-1	Base with warmer - 120V, 1 amp 6 lb. (2.72kg)
C30K	Higher support frame for 12" (305mm) faucet clearance - single	CW-1H	Warmer with an 11" (27.5cm) faucet clearance 6 lb. (2.72kg)
C40K	Higher support frame for 12" (305mm) faucet clearance - twin	BB1.5WP	500 paper filter (13" x 5" / 33cm x 13cm)
21A	Higher wattage heaters available (P400 only)	BB1.5SS	Stainless steel basket
47	Low temp, no brew	BB1.5P	Plastic brew basket
ABW-L	Accessory base - electrical plug left	DP-15	Drip pan for P400
CS-1	Shuttle® 12 lb. (5.44kg)	DP-8	Drip pan for P300
		BB2.0SS	Stainless steel brew basket to accommodate 1 lb. (.45 kg) of coffee

Specifications	Model P400	Model P300
<b>Volts/Watts/Amps</b>		120/208 VAC, 5.0KW, 24A 120/240 VAC, 6.6KW, 28A
<b># Shuttles</b>	2	1
<b>Capacity (each shuttle)</b>	1-1/2 gallons (5.7L)	1-1/2 gallons (5.7L)
<b>Brew Time</b>	4 min.	4 min.
<b>Cups per Hour</b>	600	400
<b>Dimensions (H x W x D)</b>	28" x 18" x 21" (71 cm x 46 cm x 50 cm)	28" x 9" x 23-1/2" (71 cm x 23 cm x 60 cm)
<b>Ship Dimensions (H x W x D)</b>	29-1/2" x 22" x 26" (75 cm x 56 cm x 66 cm)	29-1/2" x 11" x 26" (75 cm x 28 cm x 66 cm)
<b>Weight</b>	95 lbs. (42.75 kg)	50 lbs. (22.5 kg)
<b>Ship Weight</b>	100 lbs. (45.36 kg)	55 lbs. (25 kg)
<b>Listings</b>	UL, NSF, CSA	UL, NSF, CSA

All specifications are subject to improvement or change without notice.

Ask about the Grindmaster Corporation's line of Coffee Grinders, Coffee Brewers, Coffee Urns, Coffee Shuttles, Coffee Grindbrewers, Espresso Grinders, Espresso Brewers, Beverage Dispensers, Granita Machines and Beverage Freezers.



**GRINDMASTER™**  
CORPORATION



Grindmaster® Coffee Grinders and Brewers • Espresso® Espresso Machines • Crathco® Hot Beverage Dispensers  
Crathco® Cold and Frozen Beverage Dispensers • American Metal Ware® Coffee and Tea Systems  
Tel (502) 425-4776 • Fax (502) 425-4664 • 1-800-695-4500 (USA & Canada only)

P.O. Box 35020 • Louisville, KY 40232 • USA